



# LEFROY BROOKS

IBROC HOUSE ESSEX ROAD  
HODDESDON HERTS EN11 0QS UK  
T: +44 (0)1992 708 316 F: +44 (0)1992 708 317

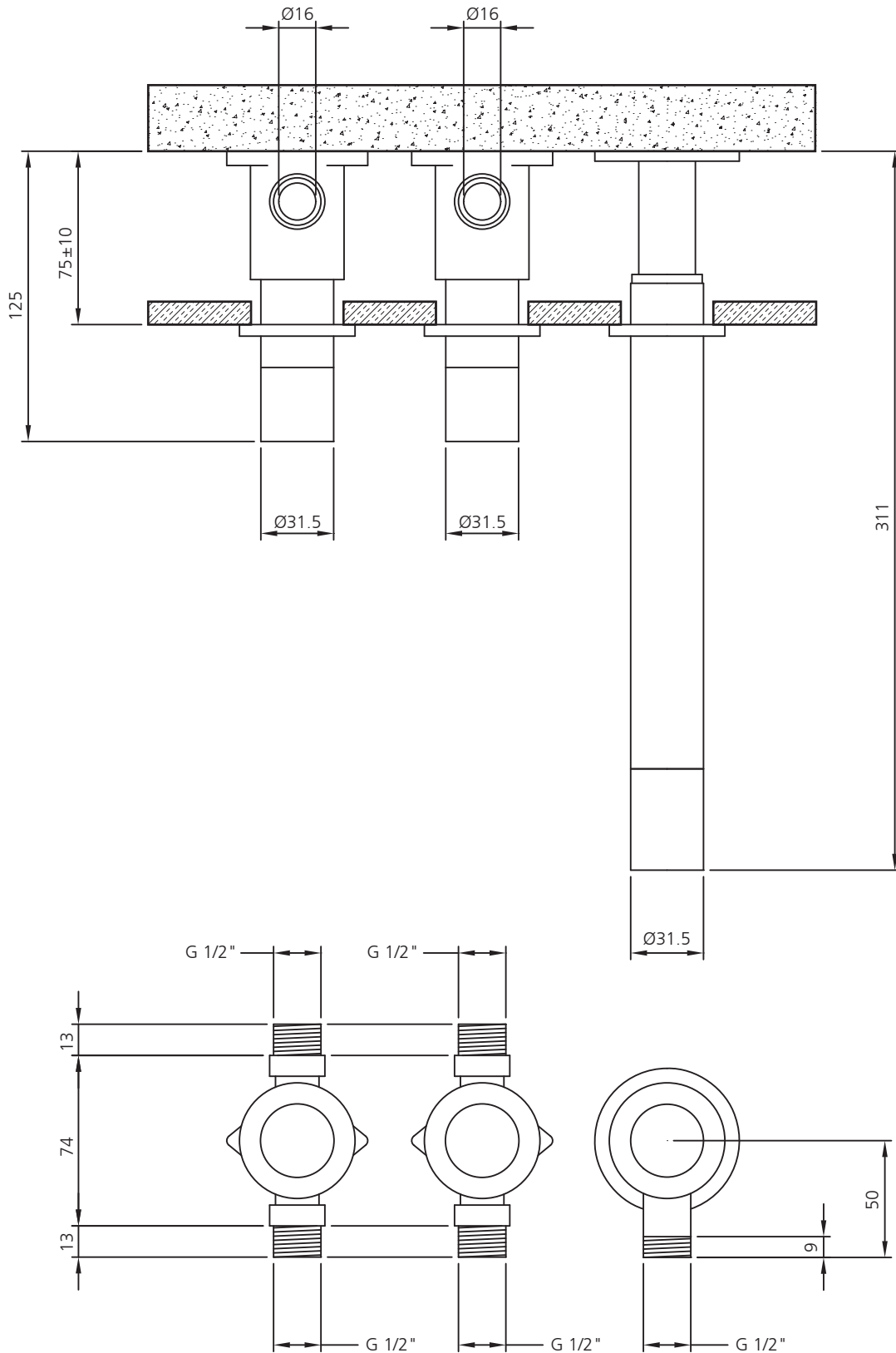
## XO-5001

JO THREE HOLE WALL MOUNTED  
LONG REACH

### DIMENSIONAL DATA SHEET

DATE: 9 September 2010

NUMBER: 30 069 5001 A



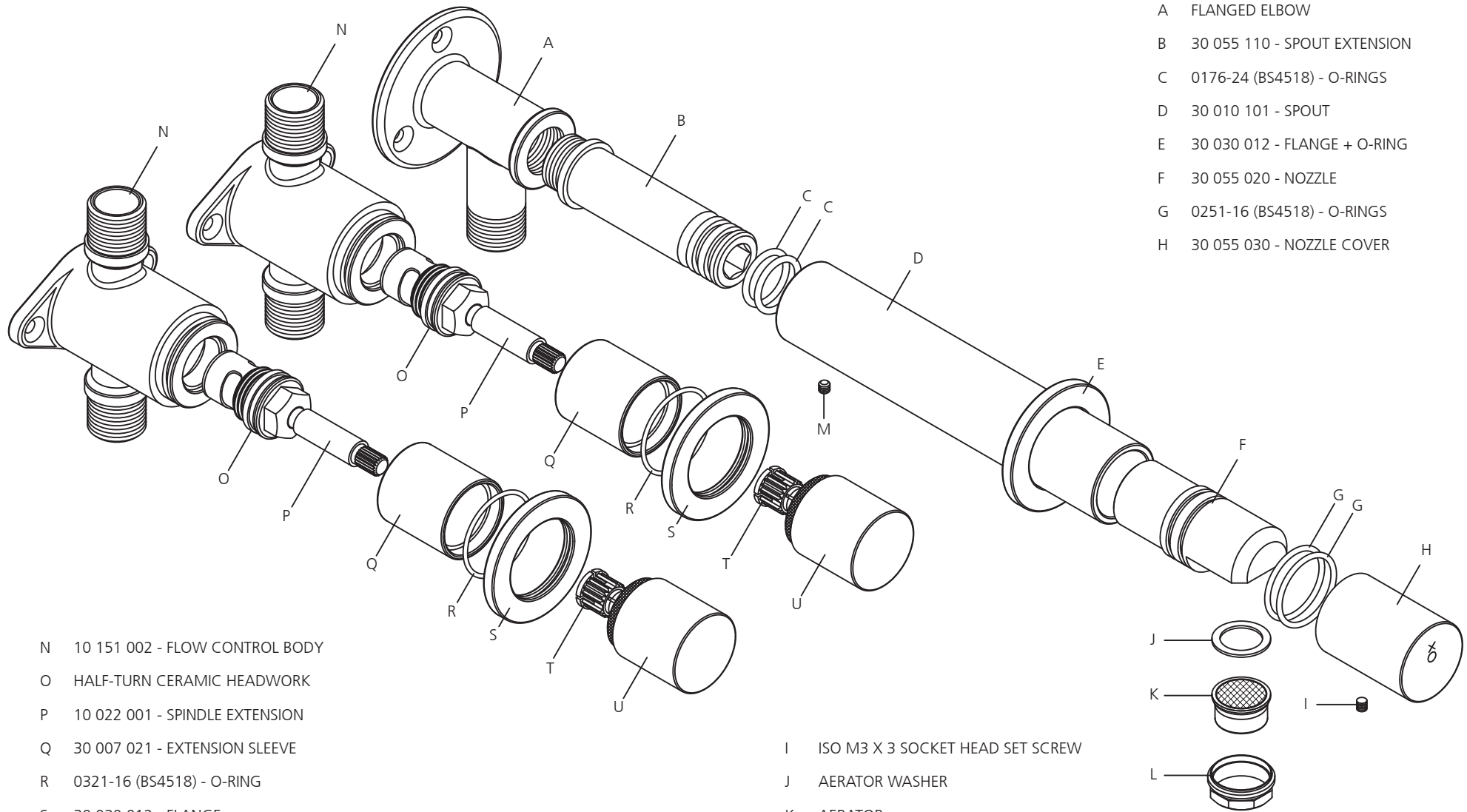
©COPYRIGHT 2001-2010. CHRISTO LEFROY BROOKS. ALL RIGHTS RESERVED.

DIMENSIONS IN MILLIMETRES

WHILST EVERY EFFORT IS MADE TO ENSURE THE ACCURACY OF THESE DATA SHEETS THEY ARE SUBJECT TO CHANGE WITHOUT NOTICE AS PART OF THE COMPANY'S PRODUCT DEVELOPMENT PROCESS

# XO-5001

JO THREE HOLE WALL MOUNTED  
LONG REACH



- A FLANGED ELBOW
- B 30 055 110 - SPOUT EXTENSION
- C 0176-24 (BS4518) - O-RINGS
- D 30 010 101 - SPOUT
- E 30 030 012 - FLANGE + O-RING
- F 30 055 020 - NOZZLE
- G 0251-16 (BS4518) - O-RINGS
- H 30 055 030 - NOZZLE COVER

- N 10 151 002 - FLOW CONTROL BODY
- O HALF-TURN CERAMIC HEADWORK
- P 10 022 001 - SPINDLE EXTENSION
- Q 30 007 021 - EXTENSION SLEEVE
- R 0321-16 (BS4518) - O-RING
- S 30 030 012 - FLANGE
- T SPLINED NYLON BUSH
- U 30 505 001 - TAPHEAD

- I ISO M3 X 3 SOCKET HEAD SET SCREW
- J AERATOR WASHER
- K AERATOR
- L 30 050 003 - AERATOR NUT
- M ISO M4 X 4 SOCKET HEAD SET SCREW

